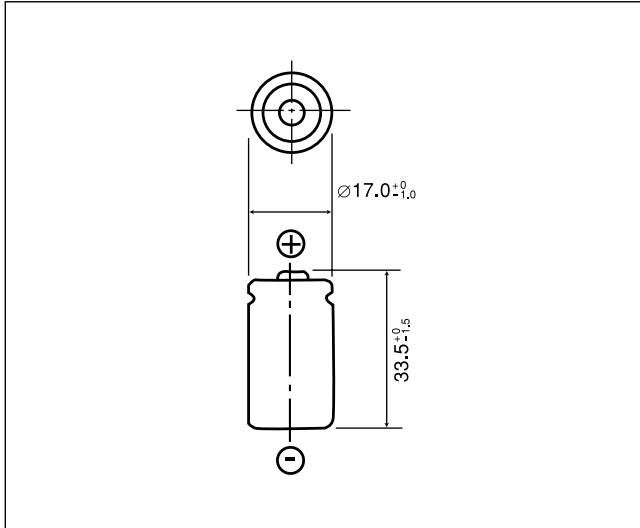


BR-2/3AG

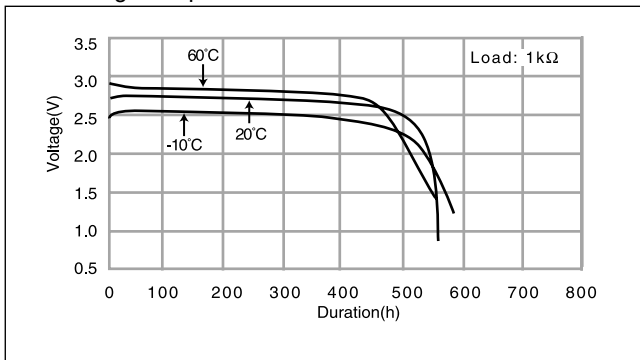
■ Dimensions(mm)



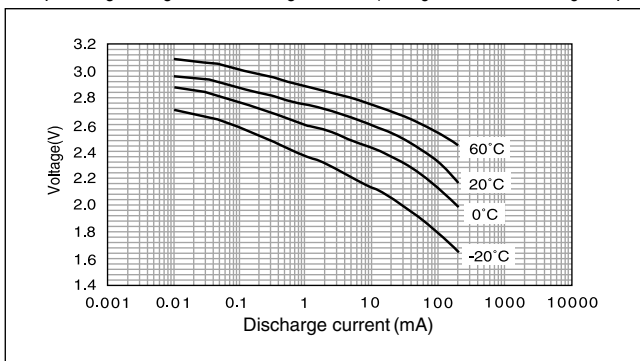
■ Specification

Nominal voltage(V)	3
Nominal capacity(mAh)	1,450
Continuous drain(mA)	2.5
Operating temperature(°C)	-40 to +85

■ Discharge temperature characteristics

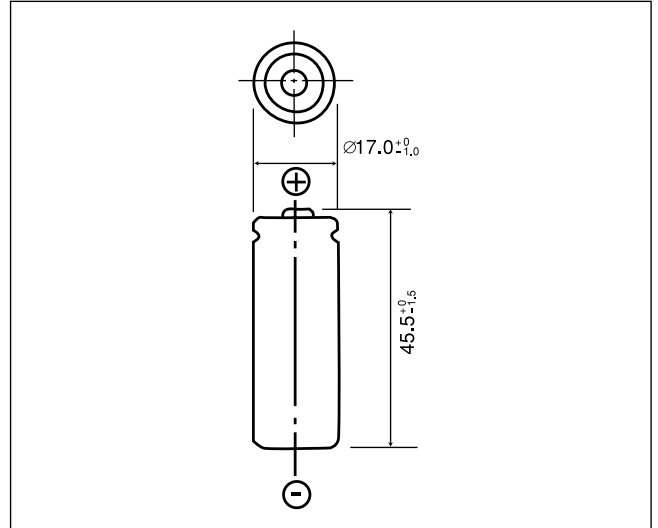


■ Operating voltage vs. Discharge current (voltage at 50% discharge depth)



BR-A

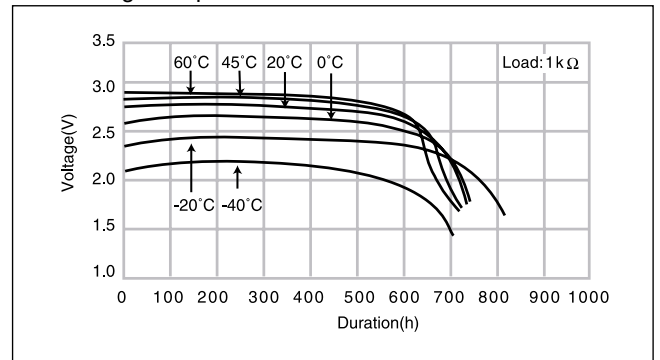
■ Dimensions(mm)



■ Specification

Nominal voltage(V)	3
Nominal capacity(mAh)	1,800
Continuous drain(mA)	2.5
Operating temperature(°C)	-40 to +85

■ Discharge temperature characteristics



■ Operating voltage vs. Discharge current (voltage at 50% discharge depth)

