

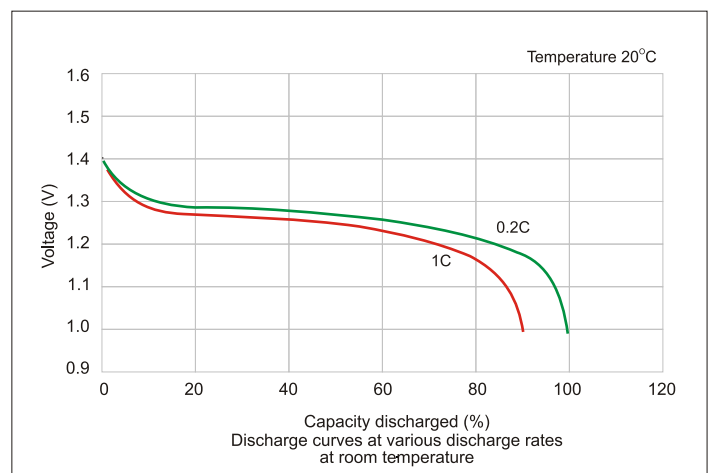
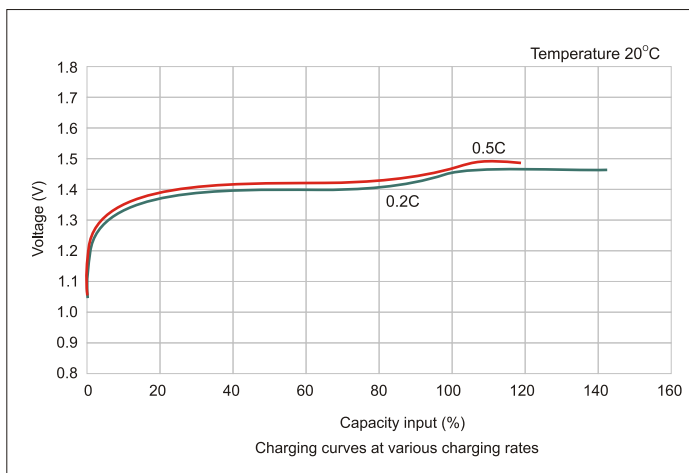
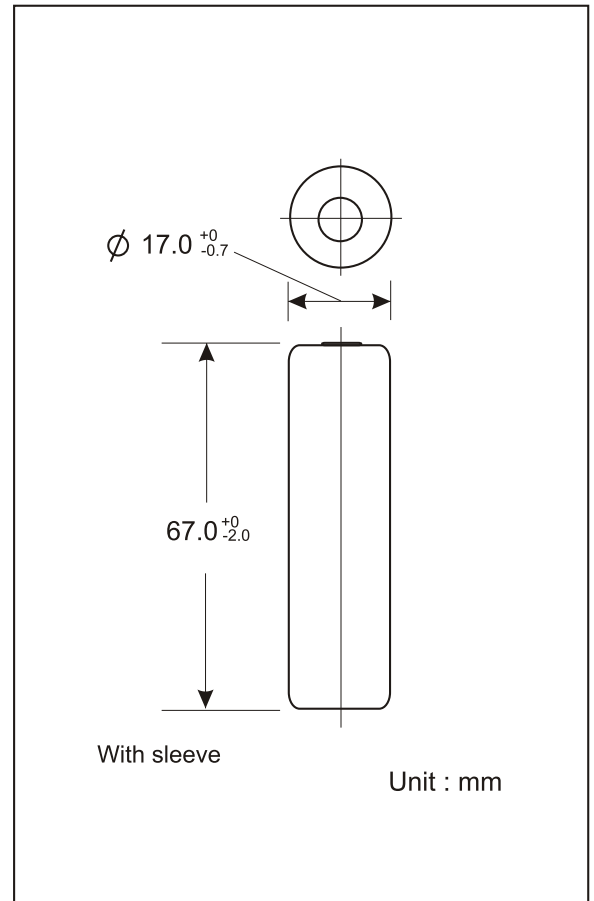
MH-3800A Specification

NiMH Cylindrical Battery

Size: 4/3A IEC: KR17/67

Typical Characteristics

Model: MH-3800A		
Specifications		
Nominal Voltage (V)		
1.2V		
Capacity*	Typical (mAh)	3800
	Minimum (mAh)	3700
Dimension	Diameter (mm)	17.0 ⁺⁰ _{-0.7}
	Height (mm)	67.0 ⁺⁰ _{-2.0}
Charging**	Standard	370mA x 16 hrs
	Rapid	1850mA x 2.4 hrs -ΔV = 5mV
	Trickle	111mA~185A
Operating Temperature (°C)	Standard Charging	0 ~ 40°C
	Rapid Charging	10 ~ 30°C
	Discharging	-20 ~ 60°C
	Storage	-20 ~ 30°C
Service Life	>500 cycles (IEC standard)	
Internal Resistance	25m Ohm (upon fully charged)	
Weight	Approx. 54 g	
Cuff-off Voltage (V)	1.00	



Note: *Discharge capacity when the battery unit is discharged at 740mA to 1.0V end voltage after being charged at 370mA for 16 hours.

** Please discharge to 1.0V end voltage with 740mA before charging the battery unit.